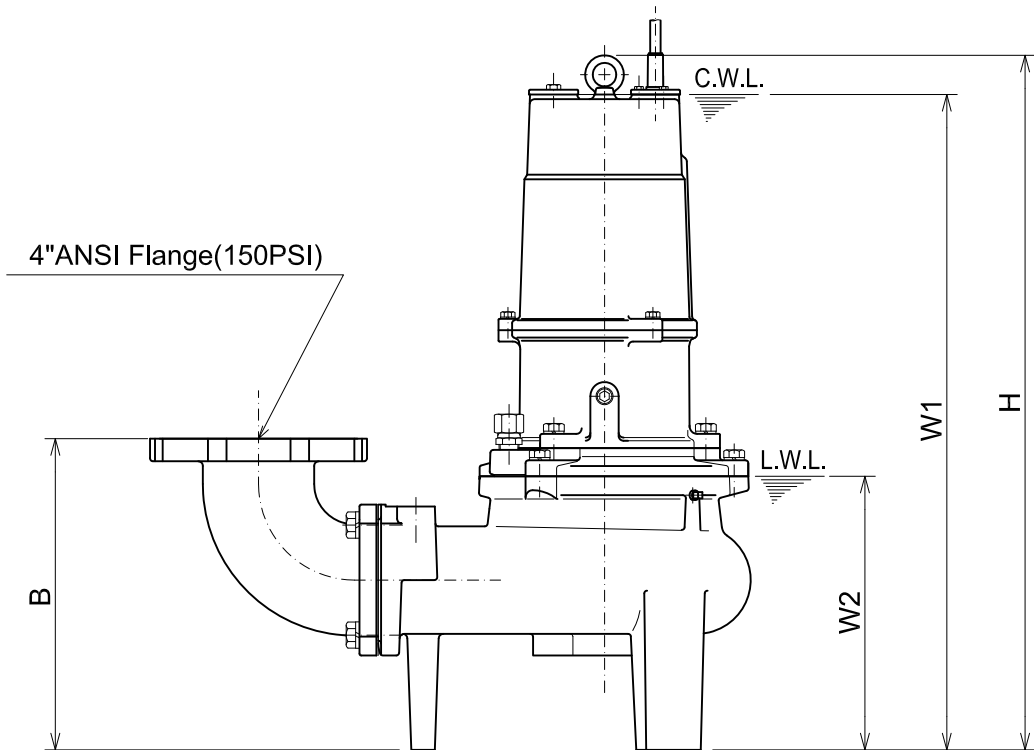
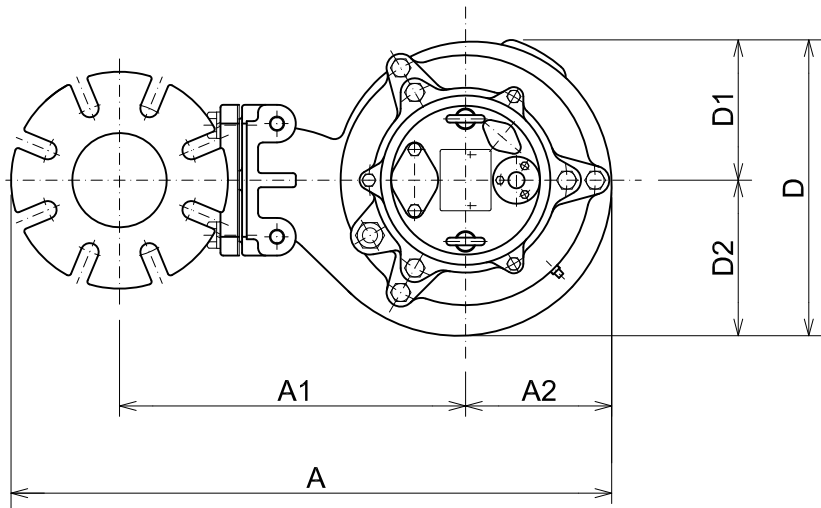


**100UZ43.7 -61**

Bend model:  
 BEND100-100 ANSI



C.W.L. :Continuous running Water Level  
 L.W.L. :Lowest running Water Level

**DIMENSIONS:USCS(Inch)**

Model	HP	NOM. SIZE	Pump & Motor							C.W.L.	L.W.L.	*Wt. (lbs.)	
			A	A1	A2	B	D	D1	D2				H
100UZ43.7 -61	5	4"	25 1/2	14 13/16	6 1/8	13	12 3/8	5 7/8	6 1/2	29	27 3/8	11 3/8	163

**DIMENSIONS:METRIC(mm)**

Model	kW	NOM. SIZE	Pump & Motor							C.W.L.	L.W.L.	*Wt. (kg)	
			A	A1	A2	B	D	D1	D2				H
100UZ43.7 -61	3.7	100	647	377	155	330	314	149	165	737	695	290	74

\*Excluding Cable.



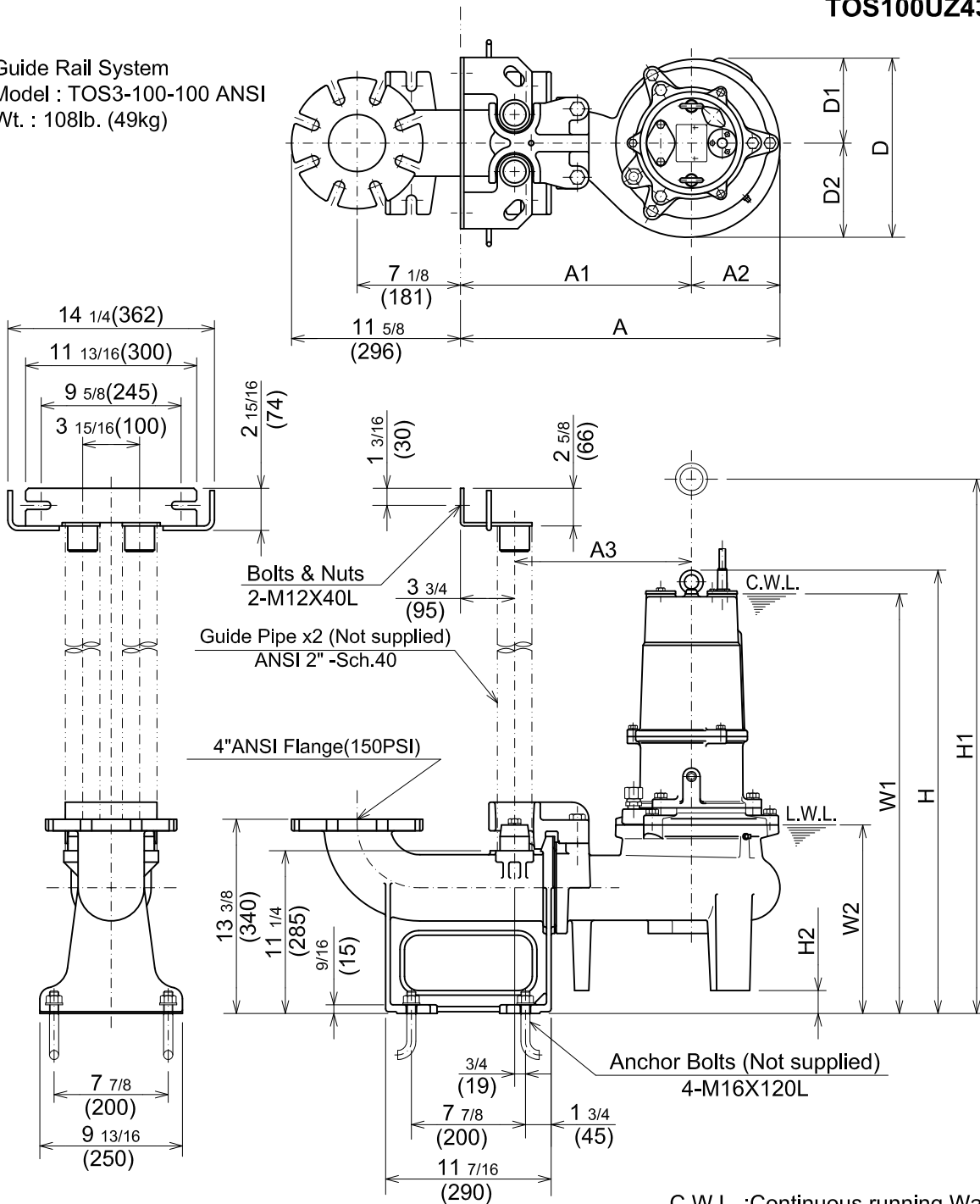
**TSURUMI PUMP**

**UZ-SERIES**  
**VORTEX - SEWAGE & WASTEWATER PUMPS**

**DIMENSIONS**

**TOS100UZ43.7 -61**

Guide Rail System  
Model : TOS3-100-100 ANSI  
Wt. : 108lb. (49kg)



C.W.L. :Continuous running Water Level  
L.W.L. :Lowest running Water Level

**DIMENSIONS:USCS(Inch)**

Model	HP	NOM. SIZE	Pump & Motor									C.W.L.	L.W.L.	*Wt. (lbs.)	
			A	A1	A2	A3	D	D1	D2	H	H1				H2
TOS100UZ43.7 -61	5	4"	22 1/16	15 15/16	6 1/8	12 3/16	12 3/8	5 7/8	6 1/2	30 9/16	35 3/8	1 9/16	28 7/8	13	154

**DIMENSIONS:METRIC(mm)**

Model	kW	NOM. SIZE	Pump & Motor									C.W.L.	L.W.L.	*Wt. (kg)	
			A	A1	A2	A3	D	D1	D2	H	H1				H2
TOS100UZ43.7 -61	3.7	100	560	405	155	310	314	149	165	777	898	40	735	330	70

\*Excluding TOS & Cable.

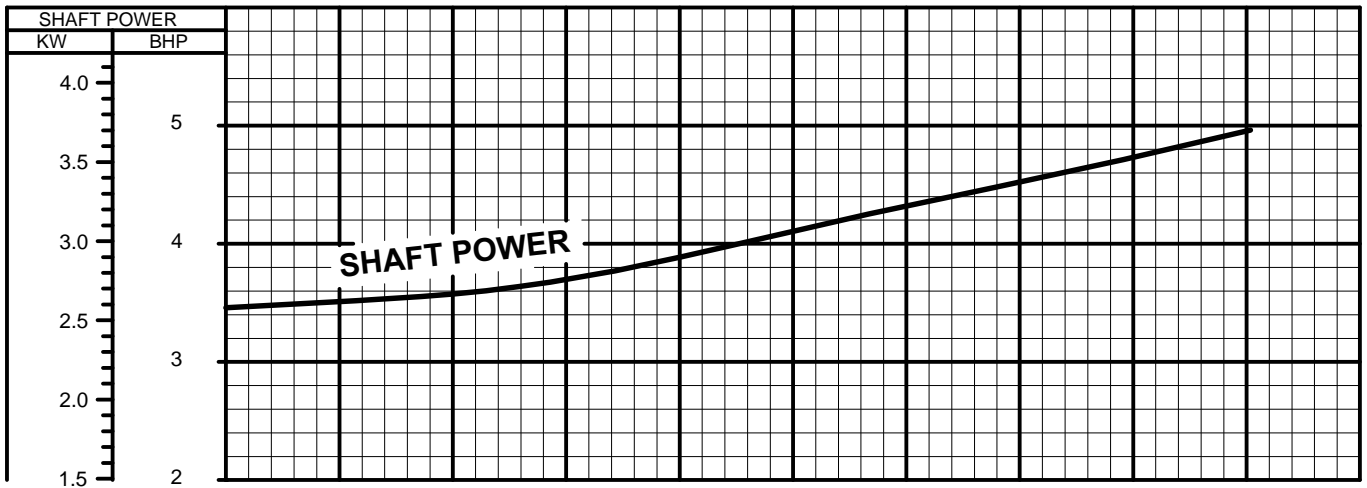
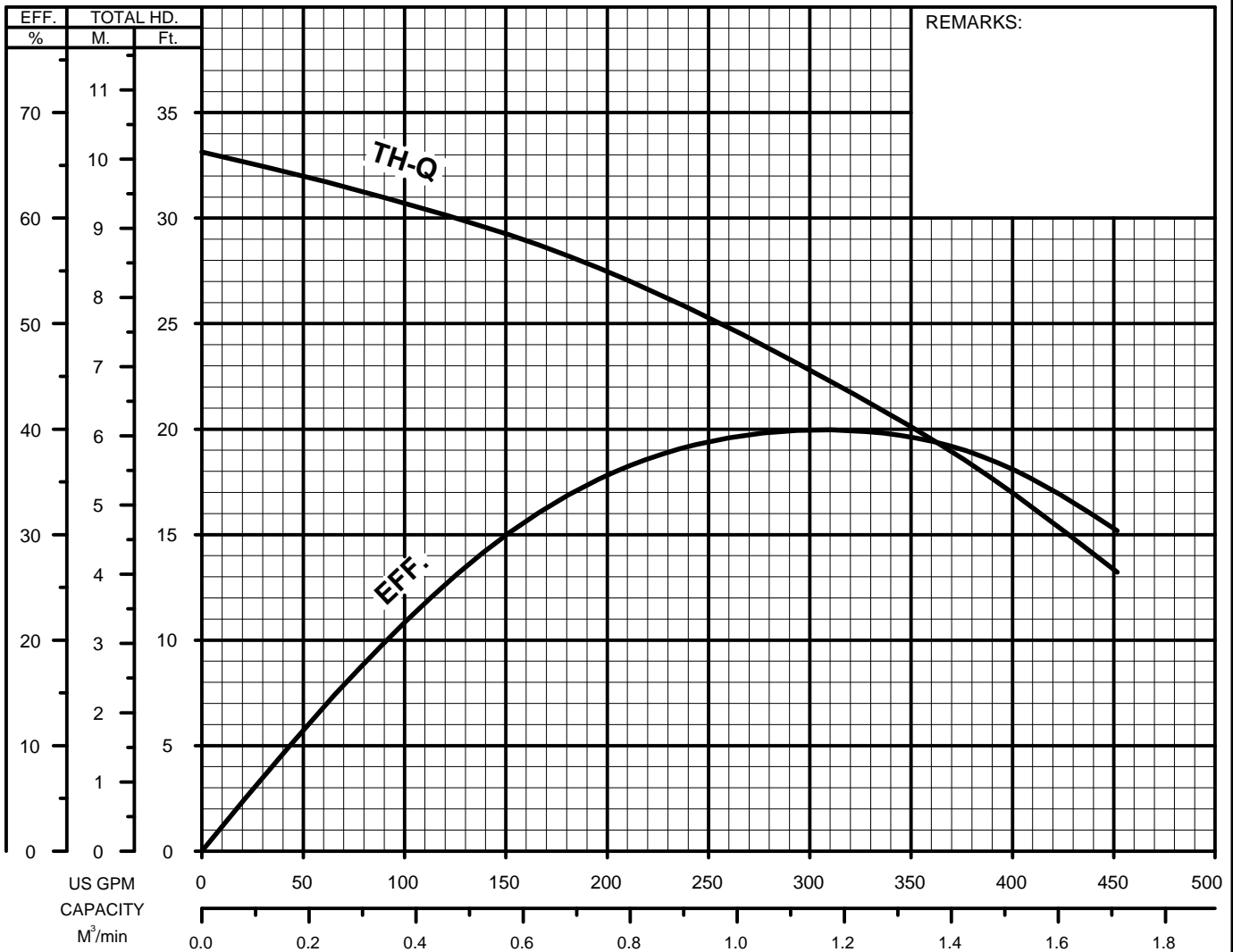


**TSURUMI PUMP**

**UZ-SERIES  
VORTEX - SEWAGE & WASTEWATER PUMPS**

**PERFORMANCE  
CURVE**

MODEL	BORE	HP	KW	RPM	SOLIDS DIA.	LIQUID	SG.	VISCOSITY	TEMP.
(TOS)100UZ43.7 -61	4"/100mm	5	3.7	1690	3.94"/100mm	Water	1.0	1.123cSt.	60°F
PUMP TYPE	PHASE	VOLTAGE	AMPERAGE	HZ	STARTING METHOD	INS.CLASS			
Vortex-Sewage&Wastewater	3	208-230/460/575	14.8-14.2/6.9/5.4	60	Direct On Line	E			
CURVE No.	DATE	PHASE	VOLTAGE	AMPERAGE	HZ	STARTING METHOD	INS.CLASS		
-	-	-	-	-	-	-	-		

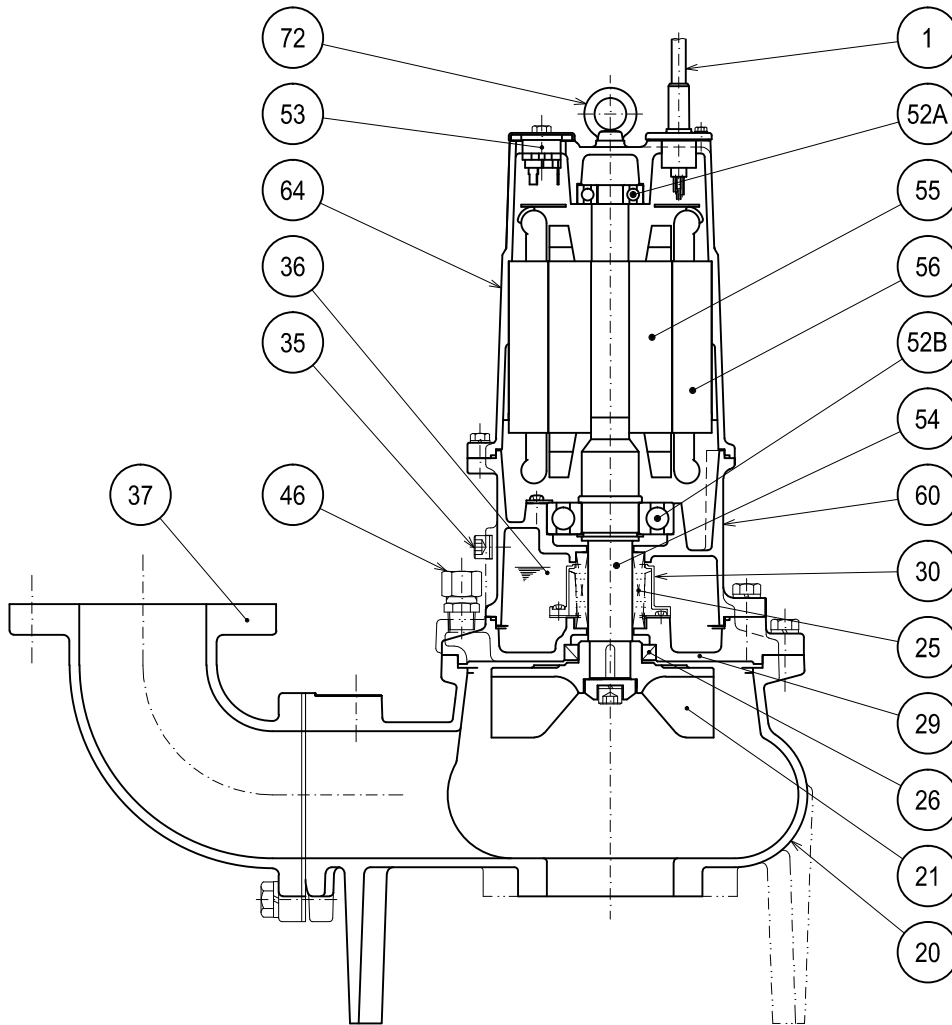




**UZ-SERIES**  
**VORTEX - SEWAGE & WASTEWATER PUMPS**

**SECTIONAL VIEW**

100UZ43.7 -61



PART#	DESCRIPTION	MAIN MATERIAL / NOTE	RELATED ASTM,AISI CODE	RELATED EN CODE	QTY
1	Power Cable	PVC Sheath AWG 12/4-32ft			1
20	Pump Casing	Cast Iron	A48M Class30B	EN 1561 GJL-200	1
21	Impeller	Cast Iron	A48M Class30B	EN 1561 GJL-200	1
25	Mechanical Seal	Silicon Carbide / H-35A			1
26	Oil Seal	NBR / TC507212			1
29	Oil Casing	Cast Iron	A48M Class30B	EN 1561 GJL-200	1
30	Oil Lifter	PBT Plastic w/(GF+MD)40			1
35	Oil Plug	Stainless Steel	S 30400	1.4301	1
36	Lubricant	Turbine Oil ISO VG32 or SAE 10W-20			
37	Discharge Bend	Cast Iron / 4"ANSI Flange(150PSI)	A48M Class30B	EN 1561 GJL-200	1
46	Air Release Valve	Stainless Steel	S 30400	1.4301	1
52A	Upper Bearing	AC-#6304ZZC3			1
52B	Lower Bearing	#6309ZZC3			1
53	Motor Protector				1
54	Shaft	Stainless Steel	S 42000	1.4028	1
55	Rotor				1
56	Stator				1
60	Bearing Housing	Cast Iron	A48M Class25B	EN 1561 GJL-150	1
64	Motor Housing	Cast Iron	A48M Class25B	EN 1561 GJL-150	1
72	Lifting Lug Bolt	Stainless Steel	S 30400	1.4301	2

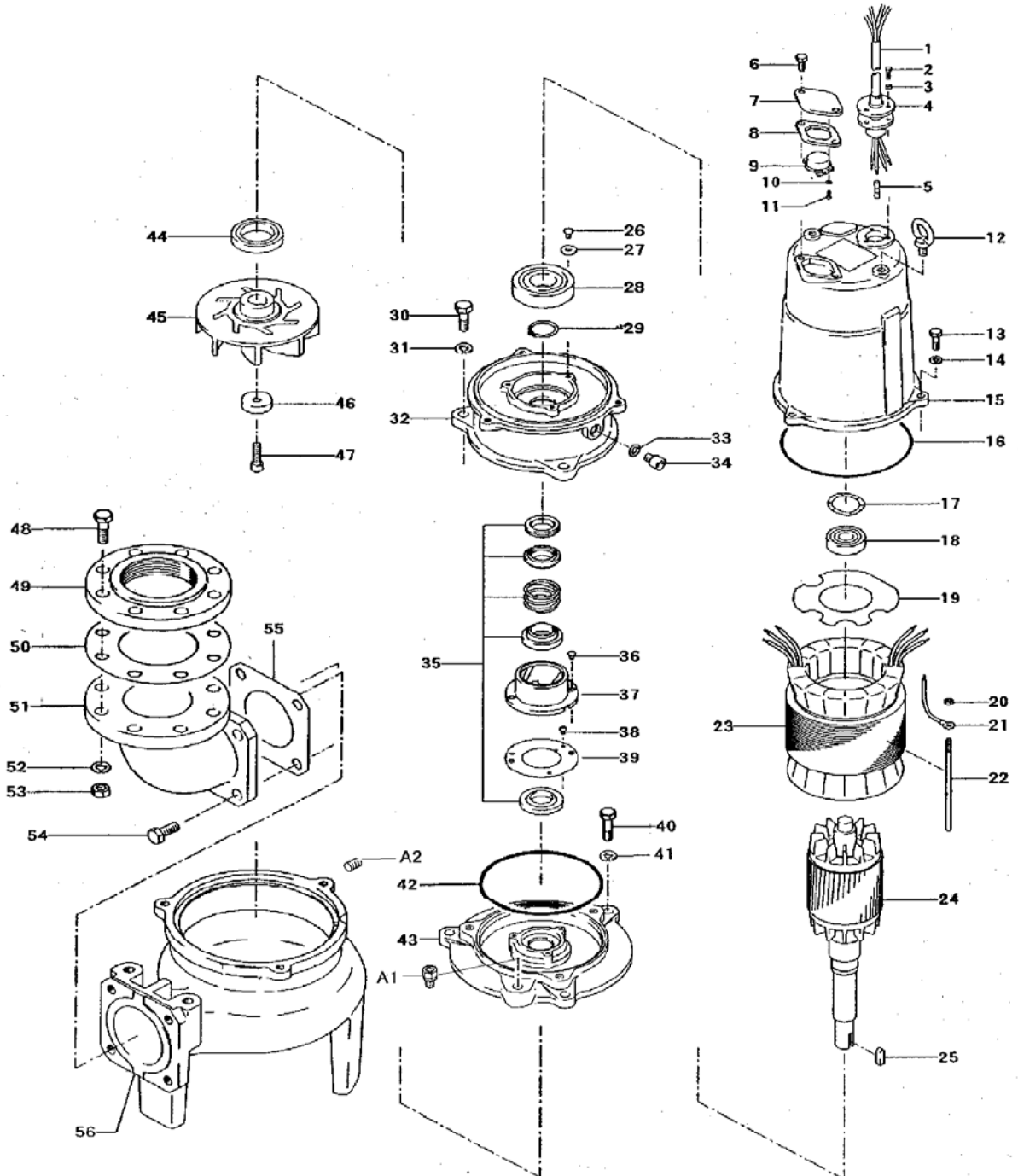
PARTS LIST		SEWAGE & WASTEWATER PUMP				4/9/2018
ITEM	PART No.	DESCRIPTION	QTY	SIZE	MATERIAL	NOTES
1	001-150-25	Cabtyre Cable Set (32') 60Hz(USA)	1	VCT4Cx3.5mm2	BE/CE	
2	140-021-17	Hex.Bolt	3	M5x20	SUS304	
3	142-422-18	Seal Washer	3	PM-5	SUS+NBR	
4	003-111-20	Gland	1		SUS304	
5	009-275-18	Compression type Terminal 60Hz(USA)	4	TGNB-5.5(Insulated)	CU	
6	140-052-17	Hex.Bolt	2	M8x16	SUS304	
7	127-107-17	Protector Fixing Plate	1	22/37-BE2	SUS304	replaces OLD part# 127-195-12
8	121-446-13	Packing	1	22/37-BE2	NBR	*
9		Motor Protector				
10	142-111-24	Plain Washer	2	M4(D=8)	SPC	
11	143-015-17	Pan Screw	2	M4x10	SWRM	
12	072-100-20	Eye Bolt	2	M10	SUS304	
13	140-055-10	Hex.Bolt	3	M8x25	SUS304	
14	142-163-18	Spring Washer	3	M8	SUS304	
15	064-509-15	Motor Frame	1		FC	
16	122-333-19	O-Ring	1	170xd3.1	NBR	*
17	142-196-10	Wave Washer	1	6205/6304	SK5	
18	052-188-17	Bearing (w/O-ring)	1	AC-6304ZZC3		
19	058-000-46	Lead Wire Protection Plate	1	d70xd140x1.6t	Bakelite	replaces OLD part# 058-117-13
20	141-004-59	Hex.Nut	1	M6	SWRM	
21	009-159-15	Terminal	1	R-2-6	CU	
22	129-003-18	Stopper	1	M6x160(11/20)	SS	
23		Stator	1Set			
24	055-791-18	Rotor	1Set			
25	147-066-15	Impeller Key	1	10x8x22l	SUS420	
26	143-042-13	Pan Screw	3	M6x10	SWRM	
27	062-196-19	Bearing Fixing Washer	3	d8xd20.5x2.3t	SS	
28	052-112-10	Bearing	1	6309ZZC3		
29	146-027-11	Retaining Ring	1	C45	SK5	
30	140-098-15	Hex.Bolt	3	M12x35	SUS304	
31	142-165-10	Spring Washer	3	M12	SUS304	
32	060-375-18	Bearing Housing	1		FC	
33	121-247-12	Packing	1	d12.3xd18x2t	PE	*
34	035-113-18	Oil Plug	1	M12x14	SUS304	
35	025-195-13	Mechanical Seal	1	H-35	SiC	
36	143-070-23	Pan Screw	2	M5x6	SWRM	
37	030-156-18	Oil Lifter	1	H-35(A)(T)	Resin	
38	143-070-10	Pan Screw	3	M5x6	SWRM	

PARTS LIST		SEWAGE & WASTEWATER PUMP				4/9/2018
ITEM	PART No.	DESCRIPTION	QTY	SIZE	MATERIAL	NOTES
39	030-150-12	Seal Stopper	1	H-35(A)(T)	SPCC	
40	140-098-15	Hex.Bolt	3	M12x35	SUS304	
41	142-165-10	Spring Washer	3	M12	SUS304	
42	122-246-14	O-Ring	1	180xd3.1	NBR	*
43	029-387-16	Oil Casing	1	US43.7	FC	
A1	046-000-03	Air Release Valve	1	PT-1/2	SUS304	
44	026-143-19	Oil Seal	1	TC-507212	NBR	
45	021P4417	Impeller (60Hz)	1	100UZ43.7-61	FC	
46	142-366-13	Impeller Washer	1	d20xd40x16l	SUS304	
47	140-300-13	Hex.Socket Cap Bolt	1	M12x25	SUS304	
48	140-000-56	Hex.Bolt	8	M16x75	SWRM	included in BEND100x100 kit (specify ANSI or NPT)
49	048-139-10	Screwed Flange	1	NPT-4(JIS10K)	FC	included in BEND100x100 kit (specify ANSI or NPT)
50	121-106-34	Packing	1	JIS10Kx100mm	NR	included in BEND100x100 kit (specify ANSI or NPT)
51	037-000-32	Discharge Bend	1	100x100mm(S-4)	FC	included in BEND100x100 kit (specify ANSI or NPT)
52	142-166-37	Spring Washer	8	M16	SWRH	included in BEND100x100 kit (specify ANSI or NPT)
53	141-008-11	Hex.Nut	8	M16	SUS304	included in BEND100x100 kit (specify ANSI or NPT)
54	140-124-11	Hex.Bolt	4	M16x40	SUS304	included in BEND100x100 kit (specify ANSI or NPT)
55	121-153-10	Packing	1	160mm2(P.C.165)	NBR	* included in BEND100x100 kit (specify ANSI or NPT)
56	020B1426	Pump Casing	1	100US43.7	FC	
A2	204-045-18	Plug	1	PT-1/8	SUS304	
	173-000-02	<b>Packing O-Ring Set</b>	1Set	(Marked by *)		
8	121-446-13	Packing (Protector Fixing Plate)	1	22/37-BE2	NBR	*
16	122-333-19	O-Ring (M.Frame/Brg.Housing)	1	170xd3.1	NBR	*
33	121-247-12	Packing (Oil Plug)	1	d12.3xd18x2t	PE	*
42	122-246-14	O-Ring (Brg.Housing/O.Casing)	1	180xd3.1	NBR	*
55	121-153-10	Packing (Discharge Bend)	1	160mm2(P.C.165)	NBR	*
		Lubricant		Turbine Oil VG32 1,250ml		

PARTS LIST		SEWAGE & WASTEWATER PUMP			4/9/2018	
ITEM	PART No.	DESCRIPTION	QTY	SIZE	MATERIAL	NOTES

## EXPLODED VIEW

100UZ43.7-51/61 (100US43.7-50/60)



C-00318-1